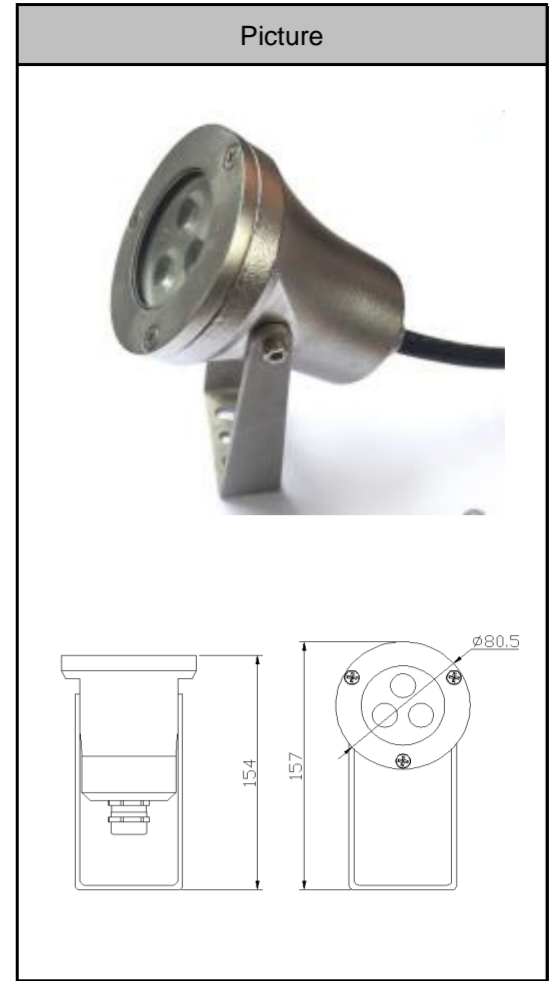


LED Underwater Spot Light/ Fountain Light (316SS Items)

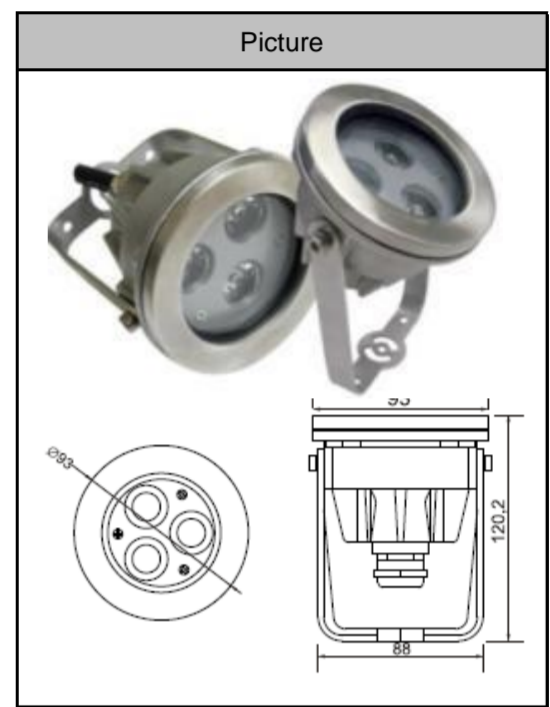
1.5m UL rubber cable, beam angle is 25° 40° for optional, CREE chip, IP68, 316SS							
Size: Ø81*154mm(Max.),Ø81*157mm(Min.),Inner box: 17.9x17x9.5CM. N.W.: 1.7Kg, G.W.: 1.8Kg, Carton box(6pcs in): 38.5x32x18.5CM, G.W.:12Kg							
Item code: 88131			Model No.: EL-UW9W316X-A		PRICE €		
Item Code	LED Q'ty	Color	Control Mode	Line Way	AC12V	DC12V	DC24V
88131.033.01	3pcs 3W LED	2700-3000K	/	V+/V-	€190,50	€190,50	/
88131.033.02	3pcs 3W LED	4000-4500K	/	V+/V-	€190,50	€190,50	/
88131.033.03	3pcs 3W LED	5000-5500K	/	V+/V-	€190,50	€190,50	/
88131.033.04	3pcs 3W LED	6000-6500K	/	V+/V-	€190,50	€190,50	/
88131.033.05	3pcs 3W LED	Red	/	V+/V-	€190,50	€190,50	/
88131.033.06	3pcs 3W LED	Green	/	V+/V-	€190,50	€190,50	/
88131.033.07	3pcs 3W LED	Blue	/	V+/V-	€190,50	€190,50	/
88131.033.08	3pcs 3W LED	Yellow	/	V+/V-	€190,50	€190,50	/
88131.033.09	3pcs 3W LED (1R+1G+1B)	RGB	DMX512 (3 channel)	V+/V-/D+/D-	€200,40	€200,40	/
88131.033.10	3pcs 3in1 LED (3R+3G+3B)	RGB	DMX512 (3 channel)	V+/V-/D+/D-	€214,80	€214,80	/
88131.033.11	3pcs 3in1 LED (3R+3G+3B)	RGB	Auto control	V+/V-	€214,80		/
88131.033.13	3pcs 3in1 LED (3R+3G+3B)	RGB	External (build-in current-limiting circuit)	R/G/B/V+	€207,60	€207,60	/

Additional charge	
CREE	Extension cable/M
same	€3,25
same	€3,25
same	€3,25
same	€3,25
same	€3,25
same	€3,25
same	€3,25
same	€3,25
same	€3,25
same	€4,25
same	€4,25
same	€4,25



1.5m UL rubber cable, beam angle is 10° 25° 30° 45° 60° 90° for optional, Edison chip, IP68, 316SS							
Size: Ø93*145mm(Max.),Ø93*120mm(Min.),Inner box: 17.9x17x9.5CM. N.W.: 1.3Kg, G.W.: 1.4Kg, Carton box(6pcs in): 38.5x32x18.5CM, G.W.:10Kg							
Item code: 88101			Model No.: EL-UW9W316X		PRICE €		
Item Code	LED Q'ty	Color	Control Mode	Line Way	AC12V	DC12V	DC24V
88101.033.01	3pcs 3W LED	2700-3000K	/	V+/V-	€132,00	€132,00	/
88101.033.02	3pcs 3W LED	4000-4500K	/	V+/V-	€132,00	€132,00	/
88101.033.03	3pcs 3W LED	5000-5500K	/	V+/V-	€132,00	€132,00	/
88101.033.04	3pcs 3W LED	6000-6500K	/	V+/V-	€132,00	€132,00	/
88101.033.05	3pcs 3W LED	Red	/	V+/V-	€132,00	€132,00	/
88101.033.06	3pcs 3W LED	Green	/	V+/V-	€132,00	€132,00	/
88101.033.07	3pcs 3W LED	Blue	/	V+/V-	€132,00	€132,00	/
88101.033.08	3pcs 3W LED	Yellow	/	V+/V-	€132,00	€132,00	/

Additional charge	
CREE	Extension cable/M
same	€3,25
same	€3,25
same	€3,25
same	€3,25
same	€3,25
same	€3,25
same	€3,25
same	€3,25



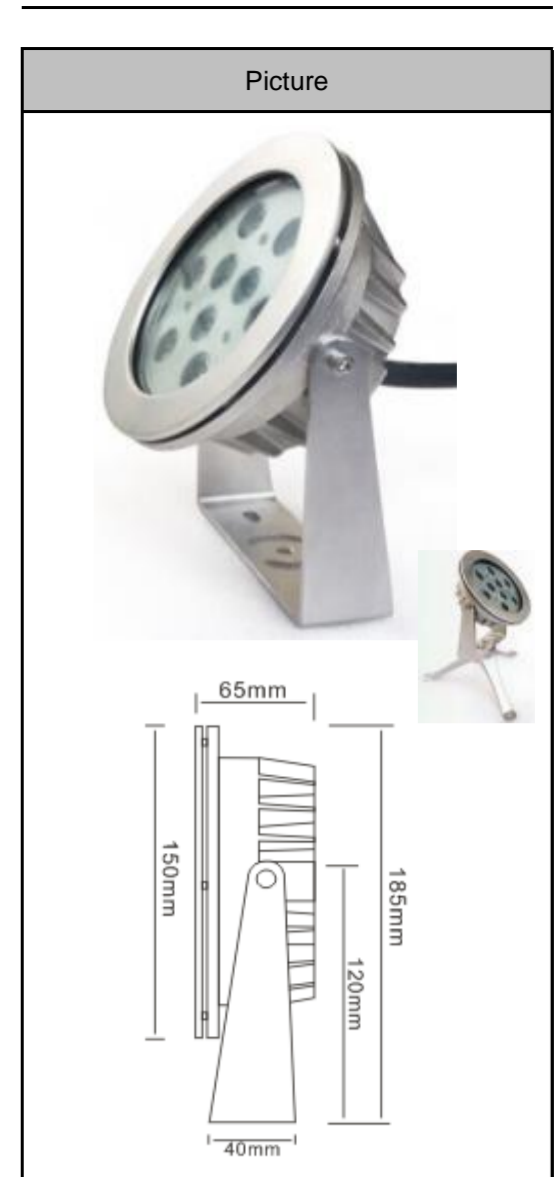
1.5m UL rubber cable, beam angle is 10° 25° 30° 45° 60° 90° for optional, Edison chip, IP68, 316SS							
Size: Ø120*165mm(Max.),Ø120*130mm(Min.),Inner box: 17.9x17x9.5CM.N.W.: 1.7Kg, G.W.: 1.9Kg, Carton box(6pcs in): 38.5x32x19CM, G.W.:13Kg							
Item code: 88105			Model No.: EL-UW18W316X		PRICE €		
Item Code	LED Q'ty	Color	Control Mode	Line Way	AC12V	DC12V	DC24V
88105.063.01	6pcs 3W LED	2700-3000K	/	V+/V-	€213,00	€213,00	/
88105.063.02	6pcs 3W LED	4000-4500K	/	V+/V-	€213,00	€213,00	/
88105.063.03	6pcs 3W LED	5000-5500K	/	V+/V-	€213,00	€213,00	/
88105.063.04	6pcs 3W LED	6000-6500K	/	V+/V-	€213,00	€213,00	/
88105.063.05	6pcs 3W LED	Red	/	V+/V-	€213,00	€213,00	/
88105.063.06	6pcs 3W LED	Green	/	V+/V-	€213,00	€213,00	/
88105.063.07	6pcs 3W LED	Blue	/	V+/V-	€213,00	€213,00	/
88105.063.08	6pcs 3W LED	Yellow	/	V+/V-	€213,00	€213,00	/
88105.063.09	6pcs 3W LED (2R+2G+2B)	RGB	DMX512 (3 channel)	V+/V-/D+/D-	€226,50	€226,50	/
88105.063.10	6pcs 3in1 LED (6R+6G+6B)	RGB	DMX512 (3 channel)	V+/V-/D+/D-	€261,00	€261,00	/
88105.063.11	6pcs 3W LED (2R+2G+2B)	RGB	Auto control AC12V or AC24V	V+/V-	€226,50		/
88105.063.13	6pcs 3W LED (2R+2G+2B)	RGB	External (build-in current-limiting circuit)	R/G/B/V+	/	€219,60	/

Additional charge	
CREE	Extension cable/M
same	€3,25
same	€3,25
same	€3,25
same	€3,25
same	€3,25
same	€3,25
same	€3,25
same	€3,25
same	€4,25
same	€4,25
same	€3,25
same	€4,25



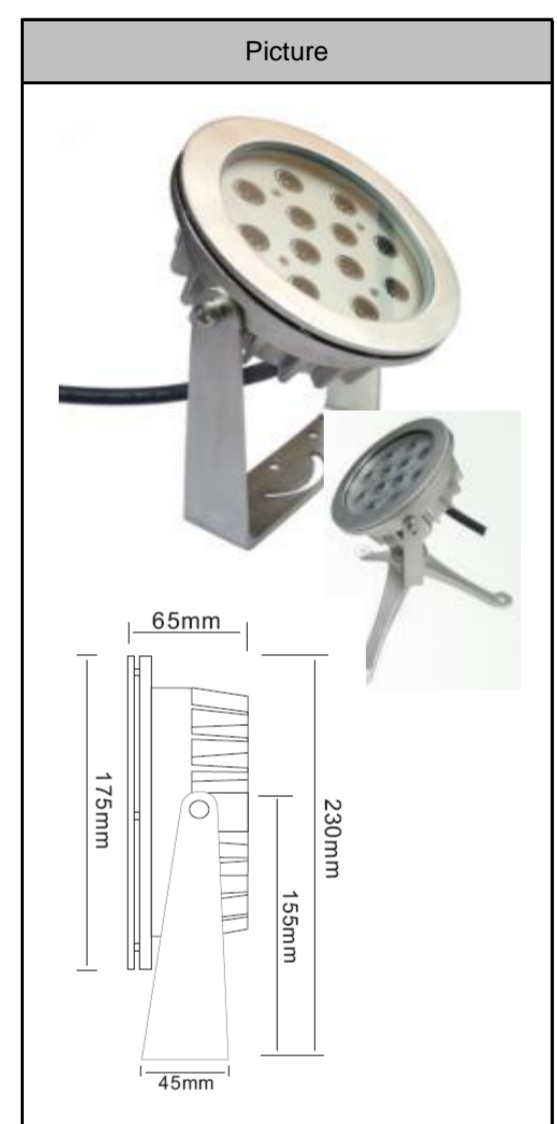
1.5m UL rubber cable, beam angle is 10° 25° 30° 45° 60° 90° for optional, Edison chip, IP68, 316SS							
Size: Ø150*185mm(Max.), Ø150*150mm(min.), Inner box:17.9x17x9.5CM.N.W.:2.2Kg, G.W.: 2.4Kg, Carton box(6pcs in): 38.5x32x19CM, G.W.:16Kg							
Item code: 88106			Model No.: EL-UW27W316X-A		PRICE €		
Item Code	LED Q'ty	Color	Control Mode	Line Way	AC12V	DC12V	DC24V
88106.093.01	9pcs 3W LED	2700-3000K	/	V+/V-	€267,00	€267,00	/
88106.093.02	9pcs 3W LED	4000-4500K	/	V+/V-	€267,00	€267,00	/
88106.093.03	9pcs 3W LED	5000-5500K	/	V+/V-	€267,00	€267,00	/
88106.093.04	9pcs 3W LED	6000-6500K	/	V+/V-	€267,00	€267,00	/
88106.093.05	9pcs 3W LED	Red	/	V+/V-	€267,00	€267,00	/
88106.093.06	9pcs 3W LED	Green	/	V+/V-	€267,00	€267,00	/
88106.093.07	9pcs 3W LED	Blue	/	V+/V-	€267,00	€267,00	/
88106.093.08	9pcs 3W LED	Yellow	/	V+/V-	€267,00	€267,00	/
88106.093.09	9pcs 3W LED (3R+3G+3B)	RGB	DMX512 (3 channel)	V+/V-/D+/D-	€277,50	€277,50	/
88106.093.10	9pcs 3in1 LED (9R+9G+9B)	RGB	DMX512 (3 channel)	V+/V-/D+/D-	€328,50	€328,50	/
88106.093.11	9pcs 3W LED (3R+3G+3B)	RGB	Auto control AC12V or AC24V	V+/V-	€277,50		/
88106.093.13	9pcs 3W LED (3R+3G+3B)	RGB	External (build-in current-limiting circuit)	R/G/B/V+	/	€271,00	/

Additional charge	
CREE	Extension cable/M
same	€3,25
same	€3,25
same	€3,25
same	€3,25
same	€3,25
same	€3,25
same	€3,25
same	€3,25
same	€3,25
same	€4,25
same	€4,25
same	€3,25
same	€4,25



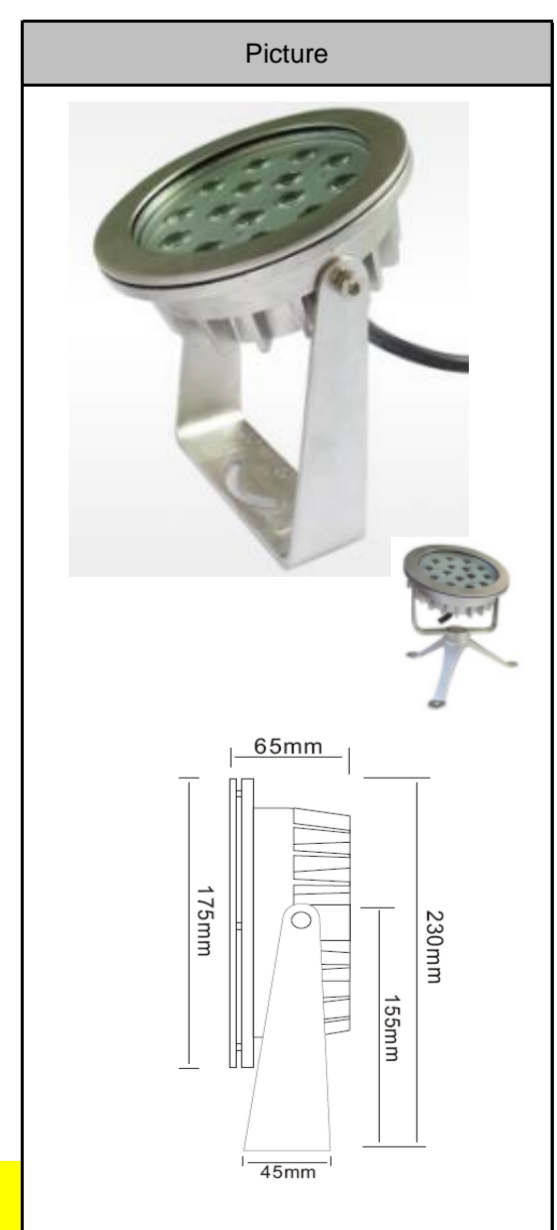
1.5m UL rubber cable, beam angle is 10° 25° 30° 45° 60° 90° for optional, Edison chip, IP68, 316SS							
Size:Ø175*230mm(Max.), Ø175*185mm(Min.),Inner box: 19x19x12CM. N.W.: 3.6Kg, G.W.: 3.9Kg, Carton box(6pcs in): 41.5x37.5x21.5CM, G.W.:25Kg							
Item code: 88107			Model No.: EL-UW36W316X		PRICE €		
Item Code	LED Q'ty	Color	Control Mode	Line Way	AC12V	DC12V	DC24V
88107.123.01	12pcs 3W LED	2700-3000K	/	V+/V-	/	/	€343,80
88107.123.02	12pcs 3W LED	4000-4500K	/	V+/V-	/	/	€343,80
88107.123.03	12pcs 3W LED	5000-5500K	/	V+/V-	/	/	€343,80
88107.123.04	12pcs 3W LED	6000-6500K	/	V+/V-	/	/	€343,80
88107.123.05	12pcs 3W LED	Red	/	V+/V-	/	/	€343,80
88107.123.06	12pcs 3W LED	Green	/	V+/V-	/	/	€343,80
88107.123.07	12pcs 3W LED	Blue	/	V+/V-	/	/	€343,80
88107.123.08	12pcs 3W LED	Yellow	/	V+/V-	/	/	€343,80
88107.123.09	12pcs 3W LED (4R+4G+4B)	RGB	DMX512 (3 channel)	V+/V-/D+/D-	/	/	€354,00
88107.123.10	12pcs 3in1 LED (12R+12G+12B)	RGB	DMX512 (3 channel)	V+/V-/D+/D-	/	/	€420,00
88107.123.11	12pcs 3W LED (4R+4G+4B)	RGB	Auto control AC24V	V+/V-	/	/	€354,00
88107.123.13	12pcs 3W LED (4R+4G+4B)	RGB	External (build-in current-limiting circuit)	R/G/B/V+	/	/	€348,00

Additional charge	
CREE	Extension cable/M
same	€3,25
same	€3,25
same	€3,25
same	€3,25
same	€3,25
same	€3,25
same	€3,25
same	€3,25
same	€4,25
same	€4,25
same	€3,25
same	€4,25



1.5m UL rubber cable, beam angle is 10° 25° 30° 45° 60° 90° for optional, Edison chip, IP68, 316SS							
Size:Ø175*230mm(Max.), Ø175*185mm(Min.),Inner box: 19x19x12CM. N.W.: 3.6Kg, G.W.: 3.9Kg, Carton box(6pcs in): 41.5x37.5x21.5CM, G.W.:25Kg							
Item code: 88107			Model No.: EL-UW45W316X		PRICE €		
Item Code	LED Q'ty	Color	Control Mode	Line Way	AC12V	DC12V	DC24V
88107.153.01	15pcs 3W LED	2700-3000K	/	V+/V-	/	/	€360,00
88107.153.02	15pcs 3W LED	4000-4500K	/	V+/V-	/	/	€360,00
88107.153.03	15pcs 3W LED	5000-5500K	/	V+/V-	/	/	€360,00
88107.153.04	15pcs 3W LED	6000-6500K	/	V+/V-	/	/	€360,00
88107.153.05	15pcs 3W LED	Red	/	V+/V-	/	/	€360,00
88107.153.06	15pcs 3W LED	Green	/	V+/V-	/	/	€360,00
88107.153.07	15pcs 3W LED	Blue	/	V+/V-	/	/	€360,00
88107.153.08	15pcs 3W LED	Yellow	/	V+/V-	/	/	€360,00
88107.153.09	15pcs 3W LED (5R+5G+5B)	RGB	DMX512 (3 channel)	V+/V-/D+/D-	/	/	€371,40
88107.153.10	15pcs 3in1 LED (15R+15G+15B)	RGB	DMX512 (3 channel)	V+/V-/D+/D-	/	/	€437,50
88107.153.11	15pcs 3W LED (5R+5G+5B)	RGB	Auto control AC24V	V+/V-	/	/	€370,00
88107.153.13	15pcs 3W LED (5R+5G+5B)	RGB	External (build-in current-limiting circuit)	R/G/B/V+	/	/	€366,00
88107.164.14	16pcs 4in1 LED (16R+16G+16B+16W)	RGBW	DMX512 (4 channel)	V+/V-/D+/D-	/	/	€657,50

Additional charge	
CREE	Extension cable/M
same	€3,25
same	€3,25
same	€3,25
same	€3,25
same	€3,25
same	€3,25
same	€3,25
same	€3,25
same	€4,25
same	€4,25
same	€3,25
same	€4,25



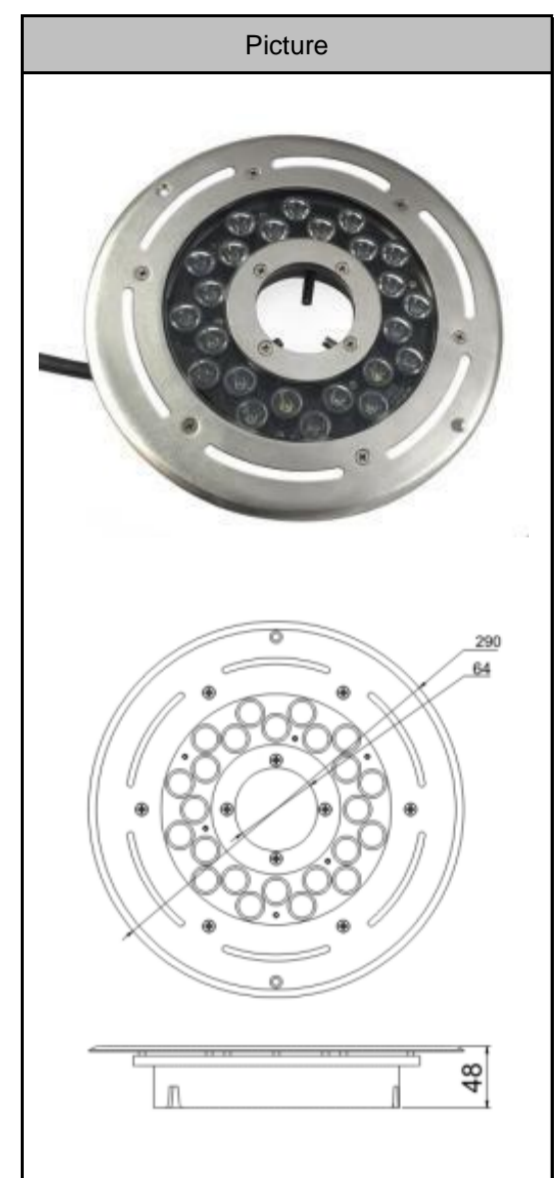
1.5m UL rubber cable, beam angle is 10° 25° 30° 45° 60° 90° for optional, Edison chip, IP68, 316SS							
Size: Ø200*95mm, Inner box: 21x20x12CM. N.W.: 2.53Kg, G.W.:2.8Kg, Carton box(3pcs in): 42x23.5x26.5CM, G.W.:10Kg							
Item code: 88129			Model No.: EL-RP27W316X-FT		PRICE €		
Item Code	LED Q'ty	Color	Control Mode	Line Way	AC12V	DC12V	DC24V
88129.093.01	9pcs 3W LED	2700-3000K	/	V+/V-	€287,50	€287,50	€287,50
88129.093.02	9pcs 3W LED	4000-4500K	/	V+/V-	€287,50	€287,50	€287,50
88129.093.03	9pcs 3W LED	5000-5500K	/	V+/V-	€287,50	€287,50	€287,50
88129.093.04	9pcs 3W LED	6000-6500K	/	V+/V-	€287,50	€287,50	€287,50
88129.093.05	9pcs 3W LED	Red	/	V+/V-	€287,50	€287,50	€287,50
88129.093.06	9pcs 3W LED	Green	/	V+/V-	€287,50	€287,50	€287,50
88129.093.07	9pcs 3W LED	Blue	/	V+/V-	€287,50	€287,50	€287,50
88129.093.08	9pcs 3W LED	Yellow	/	V+/V-	€287,50	€287,50	€287,50
88129.093.09	9pcs 3W LED (3R+3G+3B)	RGB	DMX512 (3 channel)	V+/V-/D+/D-	€300,00	€300,00	€300,00
88129.093.10	9pcs 3W LED (3R+3G+3B)	RGB	Auto control AC12V or AC24V	V+/V-	€300,00	#VALUE!	#VALUE!
88129.093.12	9pcs 3W LED (3R+3G+3B)	RGB	External (build-in current-limiting circuit)	R/G/B/V+	/	€292,50	€292,50

Additional charge	
CREE	Extension cable/M
same	€3,25
same	€3,25
same	€3,25
same	€3,25
same	€3,25
same	€3,25
same	€3,25
same	€3,25
same	€4,25
same	€3,25
same	€4,25



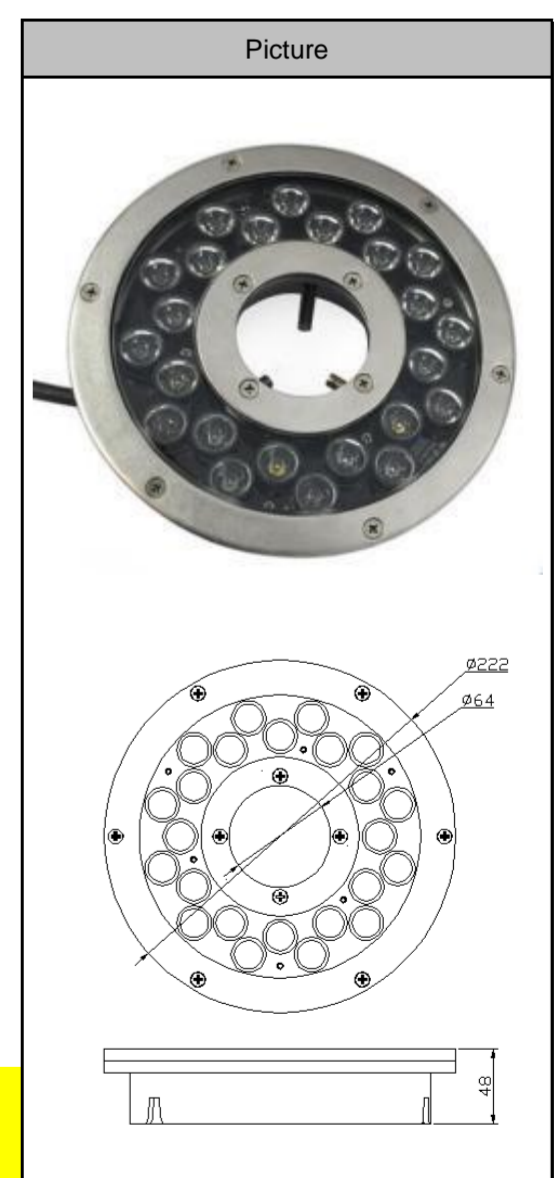
1.5m UL rubber cable, beam angle is 10° 25° 30° 45° 60° 90° for optional, Cree chip, IP68, 316SS							
Size: Ø290*48mm, Inner box: 34.5X32.5X12.5CM. N.W.: 5.5Kg, G.W.: 6.0Kg, Carton box(2 pcs in): 36X34X26.5CM, G.W.: 13.KG							
Item code: 88132			Model No.: EL-FT54W316X EL-FT72W316X		PRICE €		
Item Code	LED Q'ty	Color	Control Mode	Line Way	AC12V	DC12V	DC24V
88132.243.01	24pcs 3W LED	2700-3000K	/	V+/V-	/	/	€516,00
88132.243.02	24pcs 3W LED	4000-4500K	/	V+/V-	/	/	€516,00
88132.243.03	24pcs 3W LED	5000-5500K	/	V+/V-	/	/	€516,00
88132.243.04	24pcs 3W LED	6000-6500K	/	V+/V-	/	/	€516,00
88132.243.05	24pcs 3W LED	Red	/	V+/V-	/	/	€516,00
88132.243.06	24pcs 3W LED	Green	/	V+/V-	/	/	€516,00
88132.243.07	24pcs 3W LED	Blue	/	V+/V-	/	/	€516,00
88132.243.08	24pcs 3W LED	Yellow	/	V+/V-	/	/	€516,00
88132.183.09	18pcs 3W LED (6R+6G+6B)	RGB	DMX512 (3 channel)	V+/V-/D+/D-	/	/	€507,50
88132.183.10	18pcs 3W LED (6R+6G+6B)	RGB	Auto control AC24V	V+/V-	/	/	€507,50
88132.183.12	18pcs 3W LED (6R+6G+6B)	RGB	External (build-in current-limiting circuit)	R/G/B/V+	/	/	€507,50
88132.243.13	24pcs 3W LED (6R+6G+6B+6W)	RGBW	DMX512 (4 channel)	V+/V-/D+/D-	/	/	€555,00

Additional charge	
Edison	Extension cable/M
same	€3,25
same	€3,25
same	€3,25
same	€3,25
same	€3,25
same	€3,25
same	€3,25
same	€3,25
same	€4,25
same	€3,25
same	€4,25
same	€4,25



1.5m UL rubber cable, beam angle is 10° 25° 30° 45° 60° 90° for optional, Cree chip, IP68, 316SS							
Size: Ø222*48mm, Inner box: 34.5X32.5X12.5CM. N.W.: 5.5Kg, G.W.: 6.0Kg, Carton box(2 pcs in): 36X34X26.5CM, G.W.: 13.KG							
Item code: 88134			Model No.: EL-FT54W316X - A EL-FT72W316X-A		PRICE €		
Item Code	LED Q'ty	Color	Control Mode	Line Way	AC12V	DC12V	DC24V
88134.243.01	24pcs 3W LED	2700-3000K	/	V+/V-	/	/	€240,00
88134.243.02	24pcs 3W LED	4000-4500K	/	V+/V-	/	/	€240,00
88134.243.03	24pcs 3W LED	5000-5500K	/	V+/V-	/	/	€240,00
88134.243.04	24pcs 3W LED	6000-6500K	/	V+/V-	/	/	€240,00
88134.243.05	24pcs 3W LED	Red	/	V+/V-	/	/	€240,00
88134.243.06	24pcs 3W LED	Green	/	V+/V-	/	/	€240,00
88134.243.07	24pcs 3W LED	Blue	/	V+/V-	/	/	€240,00
88134.243.08	24pcs 3W LED	Yellow	/	V+/V-	/	/	€240,00
88134.183.09	18pcs 3W LED (6R+6G+6B)	RGB	DMX512 (3 channel)	V+/V-/D+/D-	/	/	€235,00
88134.183.10	18pcs 3W LED (6R+6G+6B)	RGB	Auto control AC24V	V+/V-	/	/	€235,00
88134.183.12	18pcs 3W LED (6R+6G+6B)	RGB	External (build-in current-limiting circuit)	R/G/B/V+	/	/	€235,00
88134.243.13	24pcs 3W LED (6R+6G+6B+6W)	RGBW	DMX512 (4 channel)	V+/V-/D+/D-	/	/	€260,00

Additional charge	
Edison	Extension cable/M
same	€3,25
same	€3,25
same	€3,25
same	€3,25
same	€3,25
same	€3,25
same	€3,25
same	€3,25
same	€4,25
same	€3,25
same	€4,25
same	€4,25



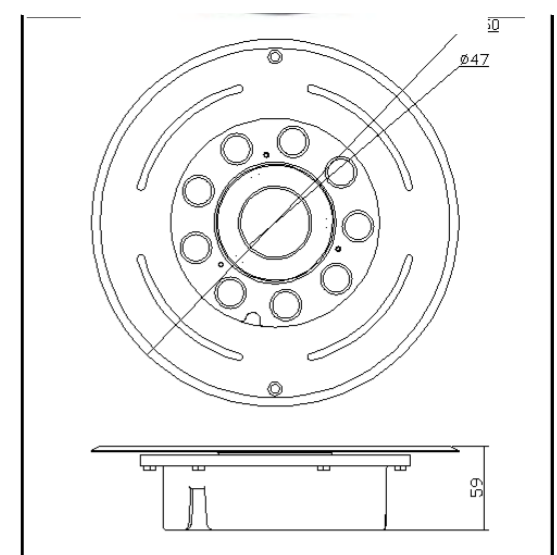
1.5m UL rubber cable, beam angle is 10° 25° 30° 45° 60° 90° for optional, Edison chip, IP68, 316SS							
Size: Ø250*59mm, Inner box: 30.5X28.5X13.5CM. N.W.: 4.5Kg, G.W.:5Kg, Carton box(2pcs in): 32X30X28.5CM, G.W.:11Kg							
Item code: 88133			Model No.: EL-FT27W316X-A		PRICE €		
Item Code	LED Q'ty	Color	Control Mode	Line Way	AC12V	DC12V	DC24V
88133.093.01	9pcs 3W LED	2700-3000K	/	V+/V-	€390,00	€390,00	€390,00
88133.093.02	9pcs 3W LED	4000-4500K	/	V+/V-	€390,00	€390,00	€390,00
88133.093.03	9pcs 3W LED	5000-5500K	/	V+/V-	€390,00	€390,00	€390,00

Additional charge	
CREE	Extension cable/M
same	€3,25
same	€3,25
same	€3,25



88133.093.04	9pcs 3W LED	6000-6500K	/	V+/V-	€390,00	€390,00	€390,00
88133.093.05	9pcs 3W LED	Red	/	V+/V-	€390,00	€390,00	€390,00
88133.093.06	9pcs 3W LED	Green	/	V+/V-	€390,00	€390,00	€390,00
88133.093.07	9pcs 3W LED	Blue	/	V+/V-	€390,00	€390,00	€390,00
88133.093.08	9pcs 3W LED	Yellow	/	V+/V-	€390,00	€390,00	€390,00
88133.093.09	9pcs 3W LED (3R+3G+3B)	RGB	DMX512 (3 channel)	V+/V-/D+/D-	€400,00	€400,00	€400,00
88133.093.10	9pcs 3W LED (3R+3G+3B)	RGB	Auto control AC12V or AC24V	V+/V-	€400,00	€400,00	€400,00
88133.093.12	9pcs 3W LED (3R+3G+3B)	RGB	External (build-in current-limiting circuit)	R/G/B/V+	€395,00	€395,00	€395,00

same	€3,25
same	€3,25
same	€3,25
same	€3,25
same	€3,25
same	€4,25
same	€3,25
same	€4,25



1.5m UL rubber cable, beam angle is 10° 25° 30° 45° 60° 90° for optional, Edison chip, IP68, 316SS

Size: Ø184*59mm, Inner box: 30.5X28.5X13.5CM. N.W.:4.5Kg, G.W.:5Kg, Carton box(3pcs in): 32X30X28.5CM, G.W.:11Kg

Item code: 88135			Model No.: EL-FT27W316X-B		PRICE €		
Item Code	LED Q'ty	Color	Control Mode	Line Way	AC12V	DC12V	DC24V
88135.093.01	9pcs 3W LED	2700-3000K	/	V+/V-	€357,50	€357,50	€357,50
88135.093.02	9pcs 3W LED	4000-4500K	/	V+/V-	€357,50	€357,50	€357,50
88135.093.03	9pcs 3W LED	5000-5500K	/	V+/V-	€357,50	€357,50	€357,50
88135.093.04	9pcs 3W LED	6000-6500K	/	V+/V-	€357,50	€357,50	€357,50
88135.093.05	9pcs 3W LED	Red	/	V+/V-	€357,50	€357,50	€357,50
88135.093.06	9pcs 3W LED	Green	/	V+/V-	€357,50	€357,50	€357,50
88135.093.07	9pcs 3W LED	Blue	/	V+/V-	€357,50	€357,50	€357,50
88135.093.08	9pcs 3W LED	Yellow	/	V+/V-	€357,50	€357,50	€357,50
88135.093.09	9pcs 3W LED (3R+3G+3B)	RGB	DMX512 (3 channel)	V+/V-/D+/D-	€367,50	€367,50	€367,50
88135.093.10	9pcs 3W LED (3R+3G+3B)	RGB	Auto control AC12V or AC24V	V+/V-	€367,50	€367,50	€367,50
88135.093.12	9pcs 3W LED (3R+3G+3B)	RGB	External (build-in current-limiting circuit)	R/G/B/V+	€360,00	€360,00	€360,00

Additional charge	
CREE	Extension cable/M
same	€3,25
same	€3,25
same	€3,25
same	€3,25
same	€3,25
same	€3,25
same	€3,25
same	€3,25
same	€4,25
same	€3,25
same	€4,25

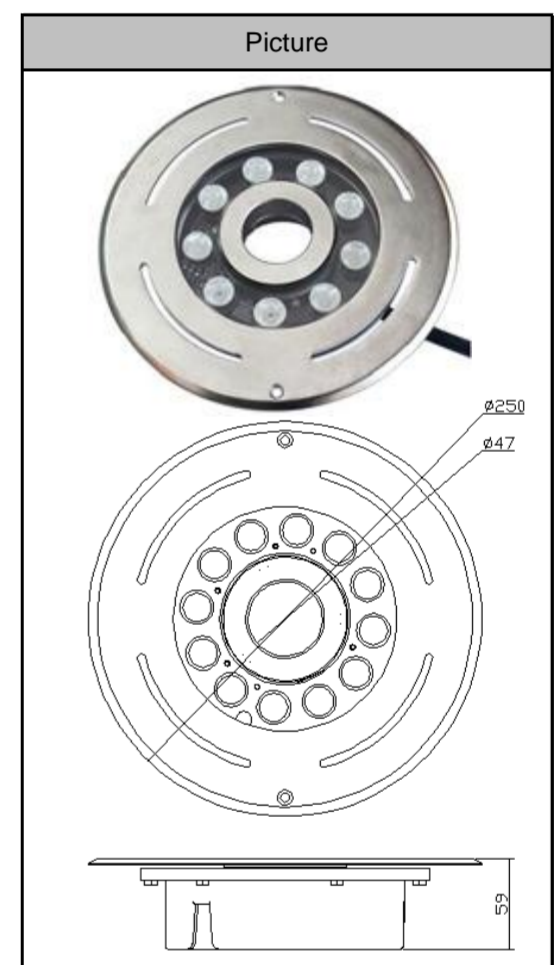


1.5m UL rubber cable, beam angle is 10° 25° 30° 45° 60° 90° for optional, Edison chip, IP68, 316SS

Size: Ø250*59mm, Inner box: 30.5X28.5X13.5CM N.W.: 4.5Kg, G.W.:5Kg, Carton box(3pcs in): 32X30X28.5CM, G.W.:11Kg

Item code: 88133			Model No.: EL-FT36W316X-A		PRICE €		
Item Code	LED Q'ty	Color	Control Mode	Line Way	AC12V	DC12V	DC24V
88133.123.01	12pcs 3W LED	2700-3000K	/	V+/V-	/	/	€407,50
88133.123.02	12pcs 3W LED	4000-4500K	/	V+/V-	/	/	€407,50
88133.123.03	12pcs 3W LED	5000-5500K	/	V+/V-	/	/	€407,50
88133.123.04	12pcs 3W LED	6000-6500K	/	V+/V-	/	/	€407,50
88133.123.05	12pcs 3W LED	Red	/	V+/V-	/	/	€407,50
88133.123.06	12pcs 3W LED	Green	/	V+/V-	/	/	€407,50
88133.123.07	12pcs 3W LED	Blue	/	V+/V-	/	/	€407,50
88133.123.08	12pcs 3W LED	Yellow	/	V+/V-	/	/	€407,50
88133.123.09	12pcs 3W LED (3R+3G+3B)	RGB	DMX512 (3 channel)	V+/V-/D+/D-	/	/	€417,50
88133.123.10	12pcs 3W LED (3R+3G+3B)	RGB	Auto control AC12V or AC24V	V+/V-	/	/	€417,50
88133.123.12	12pcs 3W LED (3R+3G+3B)	RGB	External (build-in current-limiting circuit)	R/G/B/V+	/	/	€164,00

Additional charge	
CREE	Extension cable/M
same	€3,25
same	€3,25
same	€3,25
same	€3,25
same	€3,25
same	€3,25
same	€3,25
same	€3,25
same	€4,25
same	€3,25
same	€1,70

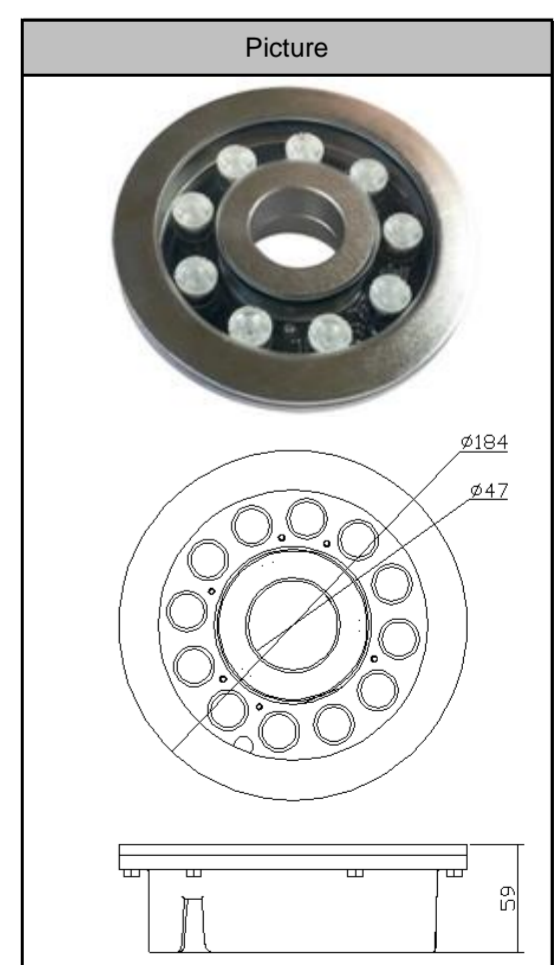


1.5m UL rubber cable, beam angle is 10° 25° 30° 45° 60° 90° for optional, Edison chip, IP68, 316SS

Size: Ø184*59mm, Inner box: 30.5X28.5X13.5CM. N.W.: 4.5Kg, G.W.:5Kg, Carton box(3pcs in): 32X30X28.5CM, G.W.:11Kg

Item code: 88135			Model No.: EL-FT36W316X-B		PRICE €		
Item Code	LED Q'ty	Color	Control Mode	Line Way	AC12V	DC12V	DC24V
88135.123.01	12pcs 3W LED	2700-3000K	/	V+/V-	/	/	€447,50
88135.123.02	12pcs 3W LED	4000-4500K	/	V+/V-	/	/	€447,50
88135.123.03	12pcs 3W LED	5000-5500K	/	V+/V-	/	/	€447,50
88135.123.04	12pcs 3W LED	6000-6500K	/	V+/V-	/	/	€447,50
88135.123.05	12pcs 3W LED	Red	/	V+/V-	/	/	€447,50
88135.123.06	12pcs 3W LED	Green	/	V+/V-	/	/	€447,50
88135.123.07	12pcs 3W LED	Blue	/	V+/V-	/	/	€447,50
88135.123.08	12pcs 3W LED	Yellow	/	V+/V-	/	/	€447,50
88135.123.09	12pcs 3W LED (3R+3G+3B)	RGB	DMX512 (3 channel)	V+/V-/D+/D-	/	/	€462,50
88135.123.10	12pcs 3W LED (3R+3G+3B)	RGB	Auto control AC12V or AC24V	V+/V-	/	/	€462,50
88135.123.12	12pcs 3W LED (3R+3G+3B)	RGB	External (build-in current-limiting circuit)	R/G/B/V+	/	/	€452,50

Additional charge	
CREE	Extension cable/M
same	€3,50
same	€3,50
same	€3,50
same	€3,50
same	€3,50
same	€3,50
same	€3,50
same	€3,50
same	€4,50
same	€3,50
same	€4,50

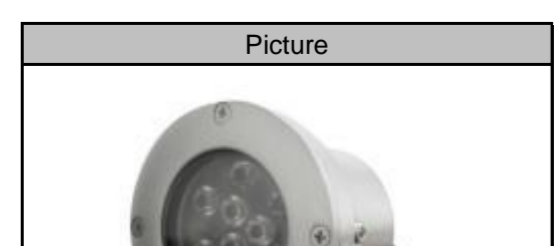


1.5m UL rubber cable, beam angle is 10° 25° 30° 45° 60° 80° for optional, CREE chip, IP68, 316SS

Size: Ø103.5*166mm(Max.), Ø103.5*138mm(Min.), Inner box: 18.5x16.5x15CM. N.W.: 2.2Kg, G.W.: 2.7Kg, Carton box(4pcs in): 39x35x17.5CM, G.W.:12Kg

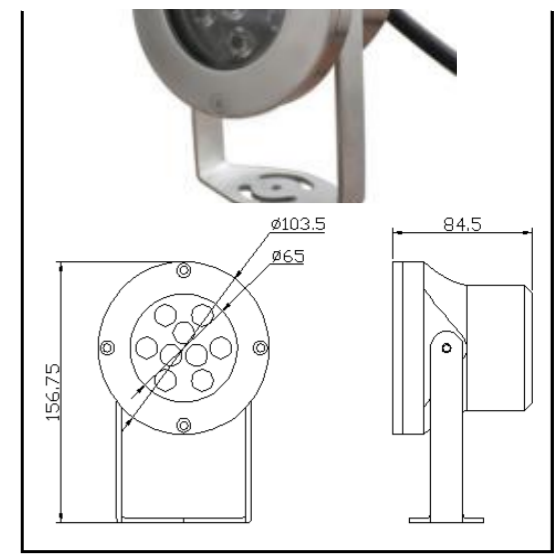
Item code: 88136			Model No.: EL-UW27W316X-B		PRICE €		
Item Code	LED Q'ty	Color	Control Mode	Line Way	AC12V	DC12V	DC24V
88136.093.01	9pcs 3W LED	2700-3000K	/	V+/V-	€292,50	€292,50	€292,50

Additional charge	
CREE	Extension cable/M
same	€3,25



88136.093.02	9pcs 3W LED	4000-4500K	/	V+/V-	€292,50	€292,50	€292,50
88136.093.03	9pcs 3W LED	5000-5500K	/	V+/V-	€292,50	€292,50	€292,50
88136.093.04	9pcs 3W LED	6000-6500K	/	V+/V-	€292,50	€292,50	€292,50
88136.093.05	9pcs 3W LED	Red	/	V+/V-	€292,50	€292,50	€292,50
88136.093.06	9pcs 3W LED	Green	/	V+/V-	€292,50	€292,50	€292,50
88136.093.07	9pcs 3W LED	Blue	/	V+/V-	€292,50	€292,50	€292,50
88136.093.08	9pcs 3W LED	Yellow	/	V+/V-	€292,50	€292,50	€292,50
88136.093.09	9pcs 3W LED (3R+3G+3B)	RGB	DMX512 (3 channel)	V+/V-/D+/D-	€306,00	€306,00	€306,00
88136.093.10	9pcs 3W LED (3R+3G+3B)	RGB	Auto control	V+/V-	€306,00		
88136.093.11	9pcs 3W LED (3R+3G+3B)	RGB	External (build-in current-limiting circuit)	R/G/B/V+	€295,00	€295,00	€295,00

€3,25
€3,25
€3,25
€3,25
€3,25
€3,25
€3,25
€3,25
€4,25
€4,25
€4,25



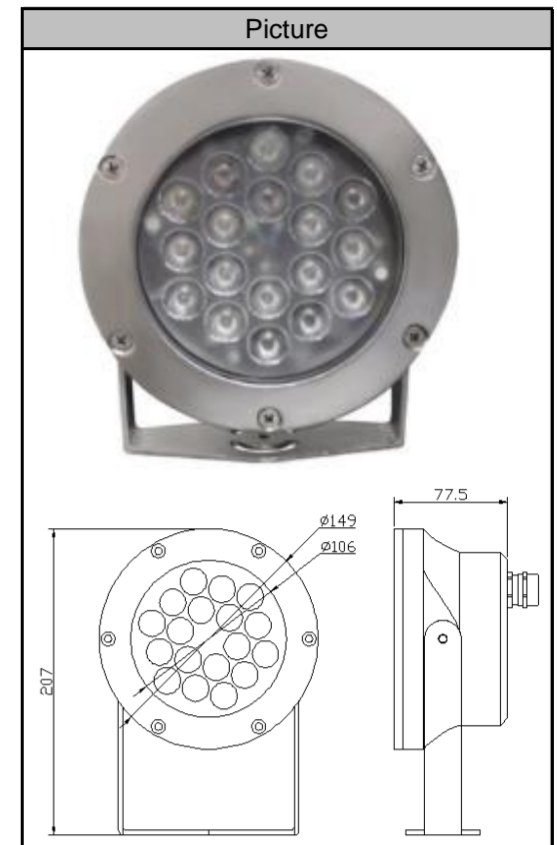
1.5m UL rubber cable, beam angle is 10° 25° 30° 45° 60° 80° for optional, CREE chip, IP68, 316SS
Size: Ø149*215mm(Max.), Ø149*168mm(Min.), Inner box: 22x20x15CM. N.W.: 3.7Kg, G.W.: 4.3Kg, Carton box(2pcs in): 23.5x21.5x32.5CM, G.W.: 10Kg

Item code: 88137 Model No.: EL-UW54W316X-A PRICE €

Item Code	LED Q'ty	Color	Control Mode	Line Way	AC12V	DC12V	DC24V
88137.183.01	18pcs 3W LED	2700-3000K	/	V+/V-	/	/	€445,00
88137.183.02	18pcs 3W LED	4000-4500K	/	V+/V-	/	/	€445,00
88137.183.03	18pcs 3W LED	5000-5500K	/	V+/V-	/	/	€445,00
88137.183.04	18pcs 3W LED	6000-6500K	/	V+/V-	/	/	€445,00
88137.183.05	18pcs 3W LED	Red	/	V+/V-	/	/	€445,00
88137.183.06	18pcs 3W LED	Green	/	V+/V-	/	/	€445,00
88137.183.07	18pcs 3W LED	Blue	/	V+/V-	/	/	€445,00
88137.183.08	18pcs 3W LED	Yellow	/	V+/V-	/	/	€445,00
88137.183.09	18pcs 3W LED (6R+6G+6B)	RGB	DMX512 (3 channel)	V+/V-/D+/D-	/	/	€457,50
88137.183.10	18pcs 3in1 LED (18R+18G+18B)	RGB	DMX512 (3 channel)	V+/V-/D+/D-	/	/	€457,50
88137.183.11	18pcs 3W LED (6R+6G+6B)	RGB	Auto control	V+/V-	/	/	€457,50
88137.183.12	18pcs 3W LED (6R+6G+6B)	RGB	External (build-in current-limiting circuit)	R/G/B/V+	/	/	€447,50

Additional charge

Extension cable/M
€3,25
€3,25
€3,25
€3,25
€3,25
€3,25
€3,25
€3,25
€3,25
€4,25
€4,25
€4,25



1.5m UL rubber cable, beam angle is 10° 25° 30° 45° 60° 80° for optional, CREE chip, IP68, 316SS
Size: 270X95X145mm(Max.), 270X95X125mm(Min.), Inner box: 30.5X18.5X13CM. N.W.: 2.85Kg, G.W.: 3.10Kg, Carton box(4pcs in): 38.5X32.5X27.5CM, G.W.: 13.5Kg

Item code: 88138 Model No.: EL-UW36W316X-L PRICE €

Item Code	LED Q'ty	Color	Control Mode	Line Way	AC12V	DC12V	DC24V
88138.093.01	9pcs 3W LED	2700-3000K	/	V+/V-	€315,00	€315,00	€315,00
88138.093.02	9pcs 3W LED	4000-4500K	/	V+/V-	€315,00	€315,00	€315,00
88138.093.03	9pcs 3W LED	5000-5500K	/	V+/V-	€315,00	€315,00	€315,00
88138.093.04	9pcs 3W LED	6000-6500K	/	V+/V-	€315,00	€315,00	€315,00
88138.093.05	9pcs 3W LED	Red	/	V+/V-	€315,00	€315,00	€315,00
88138.093.06	9pcs 3W LED	Green	/	V+/V-	€315,00	€315,00	€315,00
88138.093.07	9pcs 3W LED	Blue	/	V+/V-	€315,00	€315,00	€315,00
88138.093.08	9pcs 3W LED	Yellow	/	V+/V-	€315,00	€315,00	€315,00
88138.093.09	9pcs 3W LED (3R+3G+3B)	RGB	DMX512 (3 channel)	V+/V-/D+/D-	€330,00	€330,00	€330,00
88138.093.10	9pcs 3in1 LED (9R+9G+9B)	RGB	DMX512 (3 channel)	V+/V-/D+/D-	€330,00	€330,00	€330,00
88138.093.11	9pcs 3W LED (3R+3G+3B)	RGB	External (build-in current-limiting circuit)	R/G/B/V+	€310,00	€310,00	€310,00
88138.094.12	9pcs 4W LED (9R+9G+9B+9W)	RGBW	DMX512 (4 channel)	V+/V-/D+/D-	€437,50	€437,50	€437,50

Additional charge

Extension cable/M
€3,25
€3,25
€3,25
€3,25
€3,25
€3,25
€3,25
€3,25
€3,25
€4,25
€4,25
€4,25



Optional part for underwater lighting

Item code	Picture	Material
12000010		316SS Ø95*H5mm
12000011		316SS Ø240*H87mm

Warranty: 3 years

CE, RoHS, SGS, ISO 9001:2008 certificates.

PRICES DO NOT INCLUDE VAT 24%

EcoSolutions, Anthemiou & Anapipseos 1 (Dimokratias 5)

71306 Heraklion - Crete - Greece

Mobile: +30-6936116430 Tel: +30-2810371260 Fax: +30-2810371261

Mail: info@EcoSolutions.gr Web: www.EcoSolutions.gr